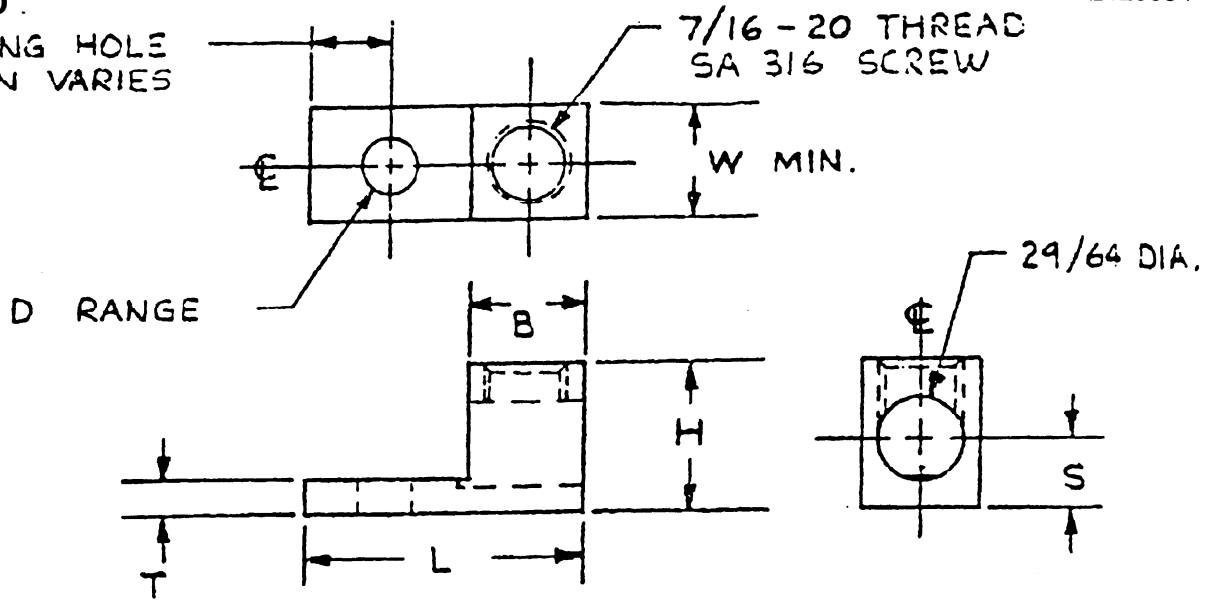


E129884

UL LISTED.

MOUNTING HOLE LOCATION VARIES



STYLE	L	H	W	T	B	S	D RANGE
1.	1 <sup>15</sup> / <sub>32</sub>	1 <sup>3</sup> / <sub>16</sub>	3 <sup>9</sup> / <sub>64</sub>	3/16	5/8	3/8	1/4 - 2 <sup>9</sup> / <sub>64</sub>
2.	2"	1 <sup>1</sup> / <sub>16</sub>	6 <sup>3</sup> / <sub>64</sub>	7/32	1"	3 <sup>3</sup> / <sub>64</sub>	1/4 - 1 <sup>7</sup> / <sub>32</sub>

PARTS ARE :

1. MARKED - IHI LOGO\* S2/0 2/0 - 14 CU9AL (U)

2. TIN - PLATED

3. ALUMINUM 6061-T6

\*PER DRAWING 12380

**INTERNATIONAL HYDRAULICS**  
INCORPORATED

TITLE

**S2/0**

THIS DRAWING AND DESIGN ARE THE PROPERTY OF INTERNATIONAL HYDRAULICS INC., CLEVELAND, OHIO, AND MAY NOT BE DUPLICATED, USED FOR BASIS OF DESIGN OR MANUFACTURE WITHOUT THE WRITTEN PERMISSION OF INTERNATIONAL HYDRAULICS INC., CLEVELAND, OHIO.

DWG. BY JDB

DATE 7-13-99

DRAWING NO.

REV.

CHK. BY

NHS

SCALE

14126