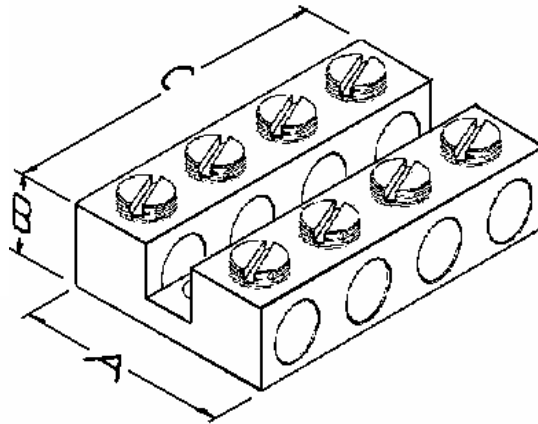


# Connectors

[WWW.IHICONNECTORS.COM](http://WWW.IHICONNECTORS.COM) ®

## **N Series Dual Neutral Bars**

**Tin Plated  
Aluminum  
for Copper and  
Aluminum  
Conductors**



- Built in wire stops
- More compact than single bars
- No holes lost for mounting screws
- No additional mounting block required for dual bars

Wire Range	Catalog Number	No. of Poles	A	B	C	Mtg. Holes Diameter
AWG 4 -14	N4 – No. of Poles	1 to 20	.94	.44	(No. of Poles x .30) +.05	.21
AWG 2 -14	N2 – No. of Poles	1 to 20	1.07	.50	(No. of Poles x .36) +.07	.21

## **Standard and Custom Connectors**

**Materials:** • Aluminum Alloys • Copper Alloys • Brass Alloys  
**Mechanical Products:** • Box Connectors • Splicers • Lugs  
**Wire Sizes:** 14 AWG to 1000 MCM

**ANY QUESTIONS?**

**Call Charles Ridley (ext. 103)**

**to discuss your needs: 440-951-7186 Fax: 440-951-1071**

**e-mail: Charles Ridley: [cRidley@ihinet.com](mailto:cRidley@ihinet.com)**

**IHI Connectors™, International Hydraulics Inc.  
 7638 St. Clair Avenue, Mentor, OH 44060-5236**