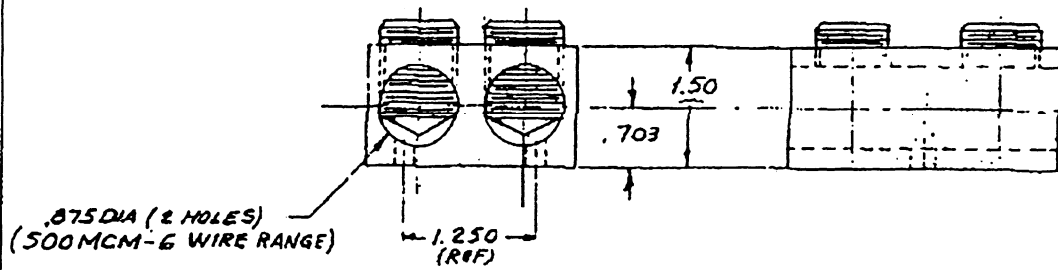
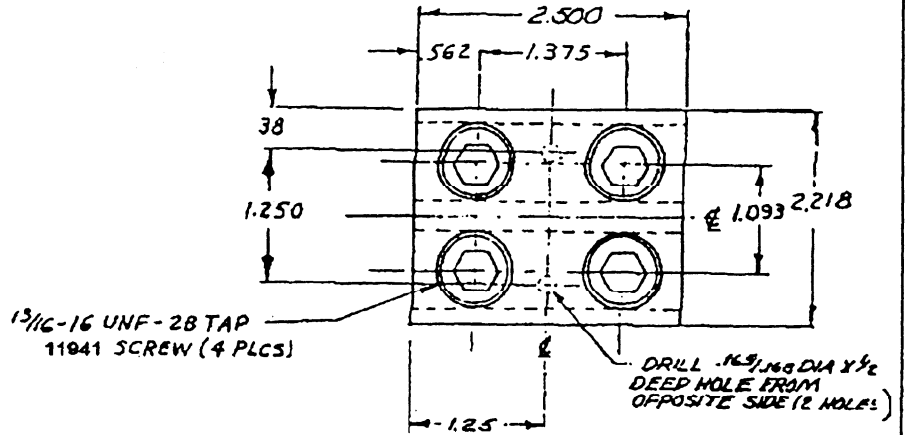


FILE E129884 UL LISTED



MARKING  
IHI OR LOGO  
500 MCM-6  
CU T AL

NOTE  
THIS CONNECTOR TO INCLUDE (4) 11941 SCREWS  
13/16 - 16 UNF x 1 LONG

6061 - T6 ALUM  
TINPLATE

<b>INTERNATIONAL HYDRAULICS</b> INCORPORATED			
TITLE <b>2P500 Series</b>			
OWO. BY CDMR	DATE 3/27/00	DRAWING NO.	REV.
CHK. BY NHS	SCALE	<b>14267</b>	