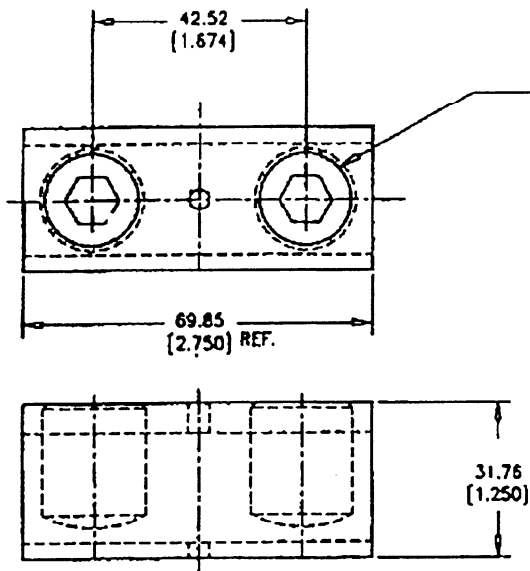
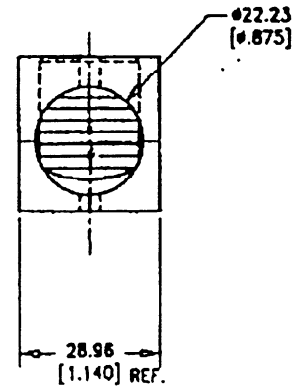


FILE E129884 UL LISTED



PART TO BE SUPPLIED WITH
 13/16-18 THD'S X 1.0 LG.
 SCREW 11941 (2 PL'S)



CONNECTOR
 (500MCM/6 WIRE RANGE)

MATERIAL 6061-T6 TIN PLATED

INTERNATIONAL HYDRAULICS
 INCORPORATED

TITLE
P500 Series

DWG. BY CDMR	DATE 3/27/00	DRAWING NO.	REV.
CHK. BY NHS	SCALE	14266	