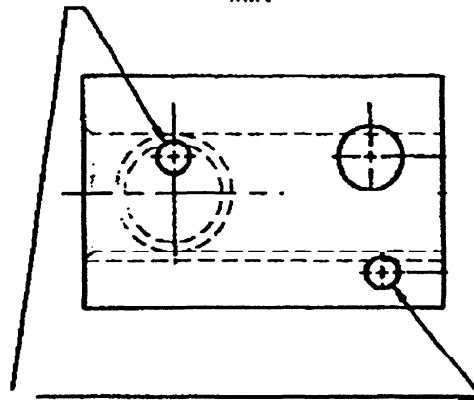
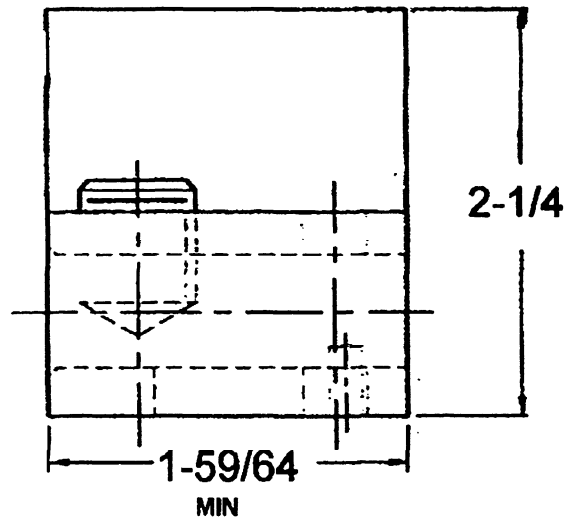
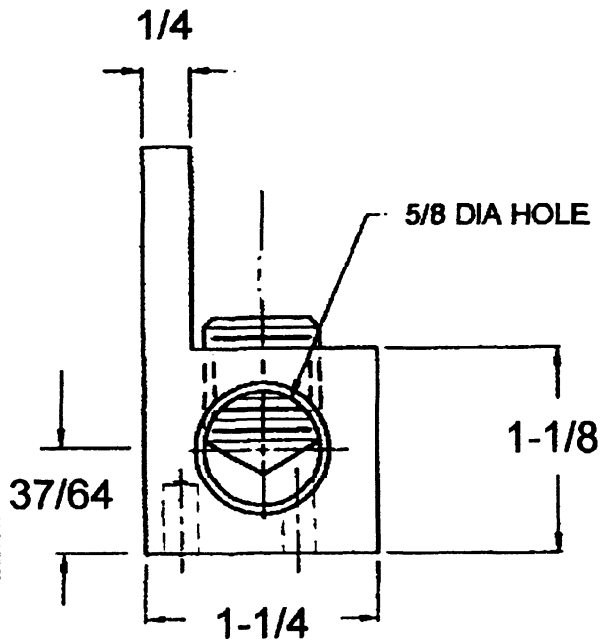
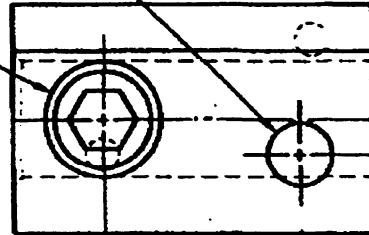


UL LISTED

LOCATION & SHAPE MAY VARY

D RANGE DIA. HOLE

5/8-18UN -2B



OPTIONAL MAXIMUM OF 2 HOLES 3/16 DIA

INTERNATIONAL HYDRAULICS INC

**S250-4**

DWG. 14127 SHEET 3, ILL. 5B