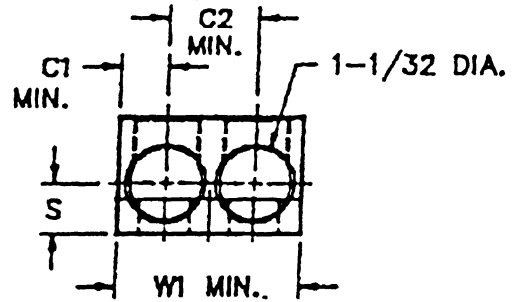
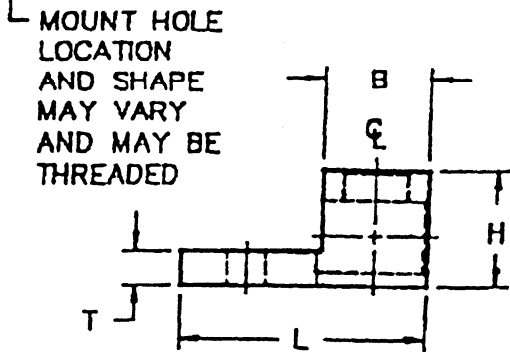
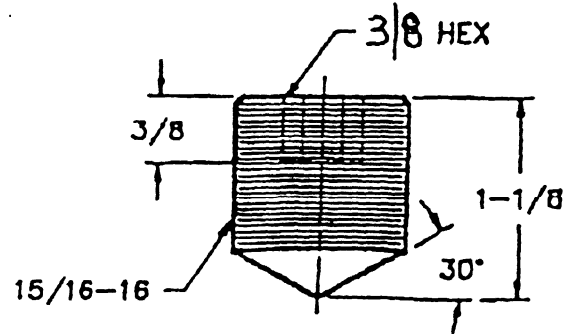
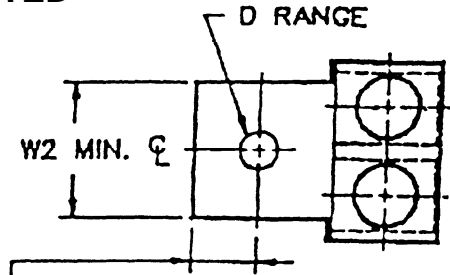


UL LISTED



STYLE	L	H	W1	W2	B	T	C1	C2	S	D RANGE
1.	3-1/2	1-11/16	2-39/64	1-63/64	1-1/2	1/2	43/64	1-9/32	23/32	13/32-5/8

PARTS ARE:

1. MARKED: IHI LOGO* 2S750 750MCM-1/0 CU9AL (UL) (SA)
2. ALUMINUM ALLOY 6061-T6
3. TIN PLATED

File E129884

NOTES:

1. SCREW IS ALUMINUM (2024-T4) TIN PLATED AND WAX DIPPED
- *PER DRAWING 12380

**INTERNATIONAL HYDRAULICS
INCORPORATED**

TITLE

2S750

THIS DRAWING AND DESIGN ARE THE PROPERTY OF INTERNATIONAL HYDRAULICS INC., CLEVELAND, OHIO, AND MAY NOT BE DUPLICATED, USED FOR BASIS OF DESIGN OR MANUFACTURE WITHOUT THE WRITTEN PERMISSION OF INTERNATIONAL HYDRAULICS INC., CLEVELAND, OHIO.

DRWG. BY	JDB	DATE	7-13-99	DRAWING NO.	14138	REV.	
CHK. BY	NHS	SCALE					