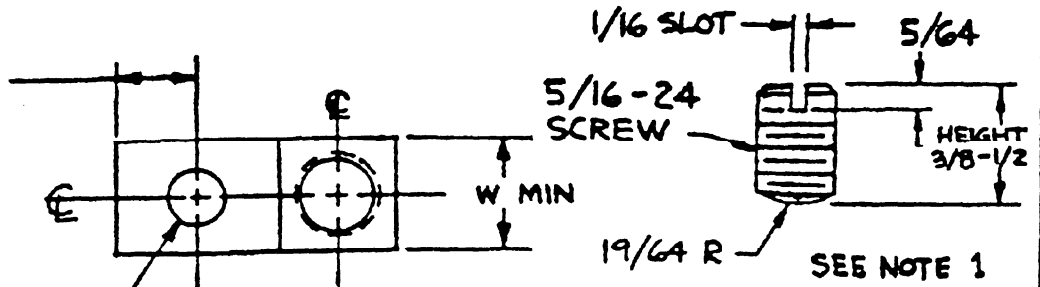
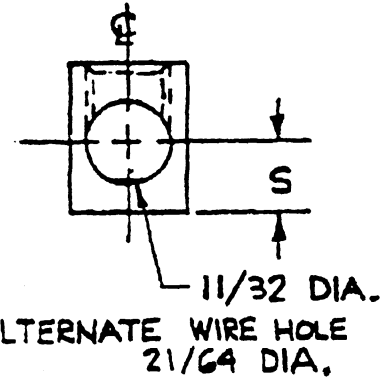
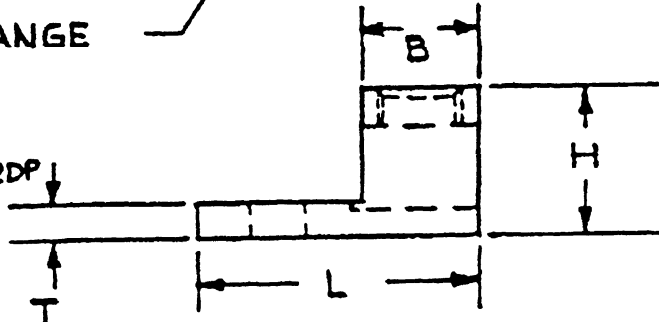
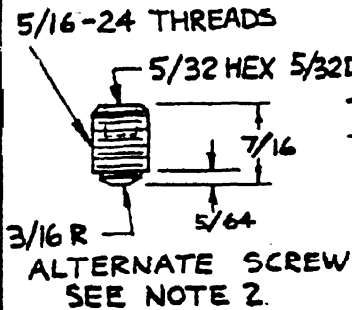


UL LISTED

MOUNTING HOLE LOCATION VARIES



D RANGE



| STYLE | L | H | W | T | B | S | D RANGE |
|-------|--------|------|--------|------|-------|-----|--------------|
| 1. | 1 5/32 | 9/16 | 3 1/64 | 3/32 | 15/32 | 1/4 | 13/64 - 5/16 |
| | | | | | | | |
| | | | | | | | |
| | | | | | | | |
| | | | | | | | |
| | | | | | | | |
| | | | | | | | |
| | | | | | | | |

E129884

PARTS ARE :

1. MARKED - IHI LOGO* S2 2 - 14 CU9AL (4) (5)
2. TIN - PLATED
3. ALUMINUM 6061-T6

NOTES :

1. SCREW IS ZINC PLATED STEEL OR TIN-PLATED 2011-T3 ALUMINUM
2. ALTERNATE SCREW IS TIN-PLATED BRASS.
3. SCREW IS IVAX DIPPED.

*PER DRAWING 12380

INTERNATIONAL HYDRAULICS
INCORPORATED

TITLE
S2

| | | | |
|------------|--------------|-------------|------|
| DWG BY JDB | DATE 7-13-99 | DRAWING NO. | REV. |
| CHK BY NHS | SCALE | 14124 | |

THIS DRAWING AND DESIGN ARE THE PROPERTY OF INTERNATIONAL HYDRAULICS INC., CLEVELAND, OHIO, AND MAY NOT BE DUPLICATED, USED FOR BASIS OF DESIGN OR MANUFACTURE WITHOUT THE WRITTEN PERMISSION OF INTERNATIONAL HYDRAULICS INC., CLEVELAND, OHIO.