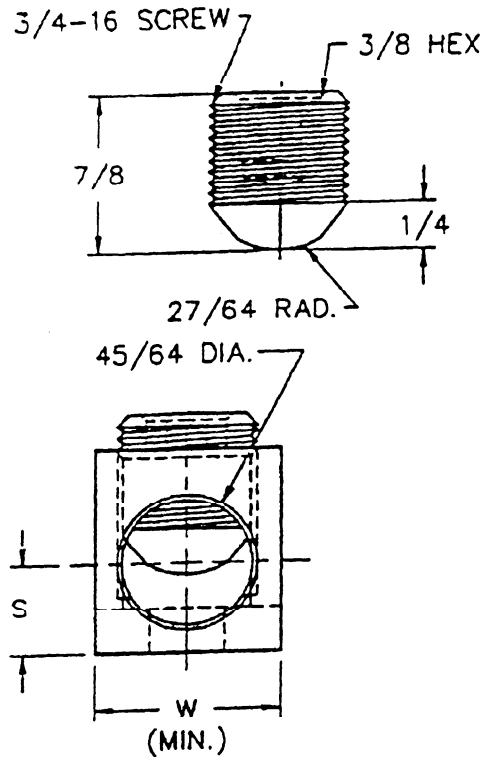
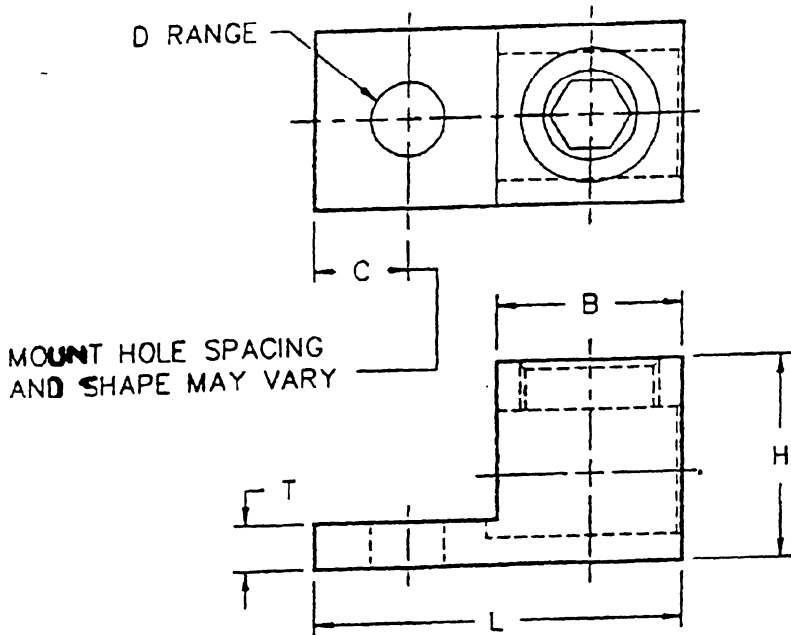


UL LISTED



| STYLE | L | H | W | T | B | S | C | D RANGE |
|-------|---|-------|---|-----|---|-----|-----|------------|
| 1. | 2 | 1 1/8 | 1 | 1/4 | 1 | 1/2 | 1/2 | 17/64-9/16 |
| | | | | | | | | |
| | | | | | | | | |
| | | | | | | | | |
| | | | | | | | | |
| | | | | | | | | |
| | | | | | | | | |

PARTS ARE:
 1: MARKED - IHI LOGO* S350 350MCM-6

CU9AL (UL) (SA)

2: TIN PLATED
 3: ALUMINUM 6061-T6

NOTES:

1. SCREW IS ALUMINUM 2011-T3, TIN PLATED, AND WAXED

*PER DRAWING 12380

File E129884

**INTERNATIONAL HYDRAULICS
 INCORPORATED**

TITLE

S350

| | | | | | | | |
|---------|-----|-------|---------|-------------|-------|------|--|
| DWG. BY | JDB | DATE | 7-13-99 | DRAWING NO. | 14129 | REV. | |
| CHK. BY | NHS | SCALE | | | | | |

THIS DRAWING AND DESIGN ARE THE PROPERTY OF INTERNATIONAL HYDRAULICS INC., CLEVELAND, OHIO, AND MAY NOT BE DUPLICATED, USED FOR BASIS OF DESIGN OR MANUFACTURE WITHOUT THE WRITTEN PERMISSION OF INTERNATIONAL HYDRAULICS INC., CLEVELAND, OHIO.