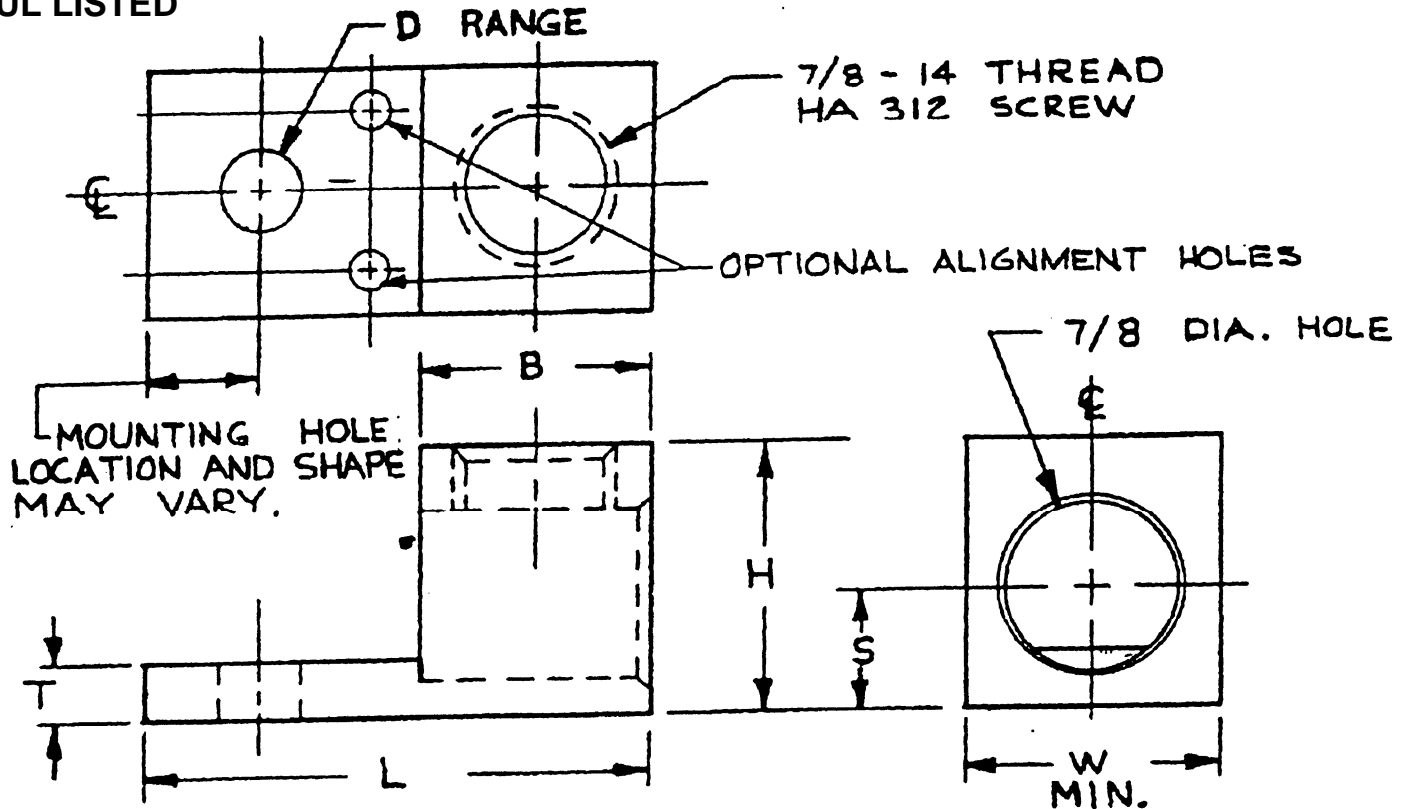


UL LISTED



STYLE	L	H	W	T	B	S	D RANGE
1.	2 3/4	1 1/2	1 23/64	5/16	1 1/4	43/64	3/8 - 5/8
2.	"	"	"	"	1 3/8	"	" "
3.	2 13/16	1 13/16	"	"	1 5/16	"	" "
4.	2 13/16	1 9/16	"	"	1 7/32	23/32	" "

File E129884

PARTS ARE :
 1. MARKED - IHI LOGO* S500 500MCM - 4 CU9AL (U) (SA)
 2. TIN - PLATED
 3. ALUMINUM 6061-T6
NOTE:
 1. SCREW IS WAX DIPPED.
 *PER DRAWING 12380

INTERNATIONAL HYDRAULICS
 INCORPORATED

TITLE
S500

DRWG BY JDB	DATE 7-13-99	DRAWING NO.	REV.
CHL BY NHS	SCALE	14130	

THIS DRAWING AND DESIGN ARE THE PROPERTY OF INTERNATIONAL HYDRAULICS INC., CLEVELAND, OHIO, AND MAY NOT BE DUPLICATED, USED FOR BASIS OF DESIGN OR MANUFACTURE WITHOUT THE WRITTEN PERMISSION OF INTERNATIONAL HYDRAULICS INC., CLEVELAND, OHIO.