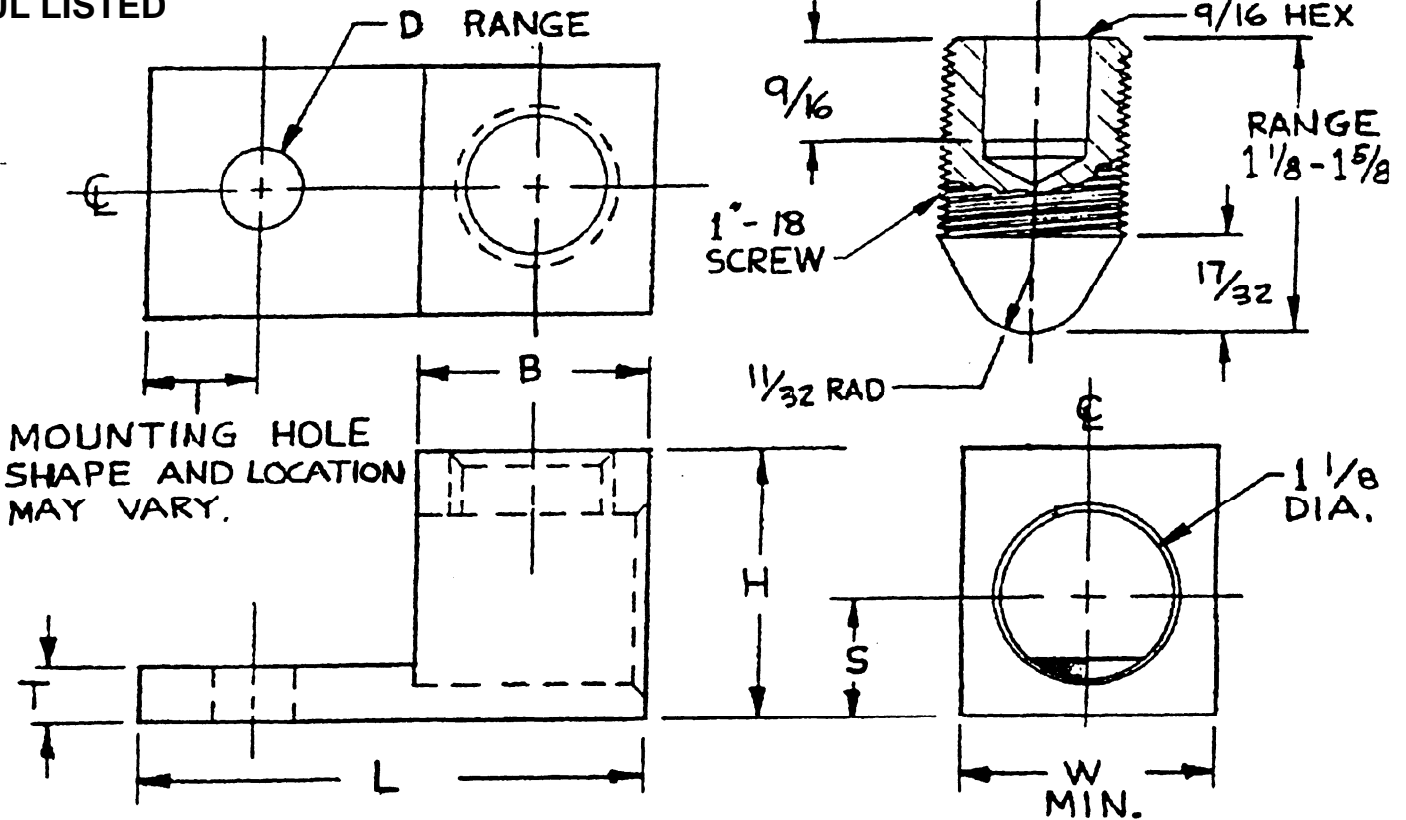


UL LISTED



STYLE	L	H	W	T	B	S	D RANGE
1.	2 15/16	1 15/16	1 39/64	3/8	1 5/8	7/8	9/16 - 21/32
2.	3 3/8	"	"	"	"	"	" - "

File E129884

NOTES:

1. SCREW IS ALUMINUM, 2011-T3, TIN-PLATED

PARTS ARE:

1. MARKED - IHI LOGO* S800 (M) (SP)
800-350MCM CUTAL
 2. TIN-PLATED
 3. ALUMINUM 6063-T6
- *PER-DRAWING 12380

INTERNATIONAL HYDRAULICS
INCORPORATED

TITLE

S800

DWG. BY	JDB	DATE	7-13-99
DRAWING NO.	14132		
REV.			
CWL. BY	NHS	SCALE	

THIS DRAWING AND DESIGN ARE THE PROPERTY OF INTERNATIONAL HYDRAULICS INC., CLEVELAND, OHIO, AND MAY NOT BE DUPLICATED, USED FOR BASIS OF DESIGN OR MANUFACTURE WITHOUT THE WRITTEN PERMISSION OF INTERNATIONAL HYDRAULICS INC., CLEVELAND, OHIO.