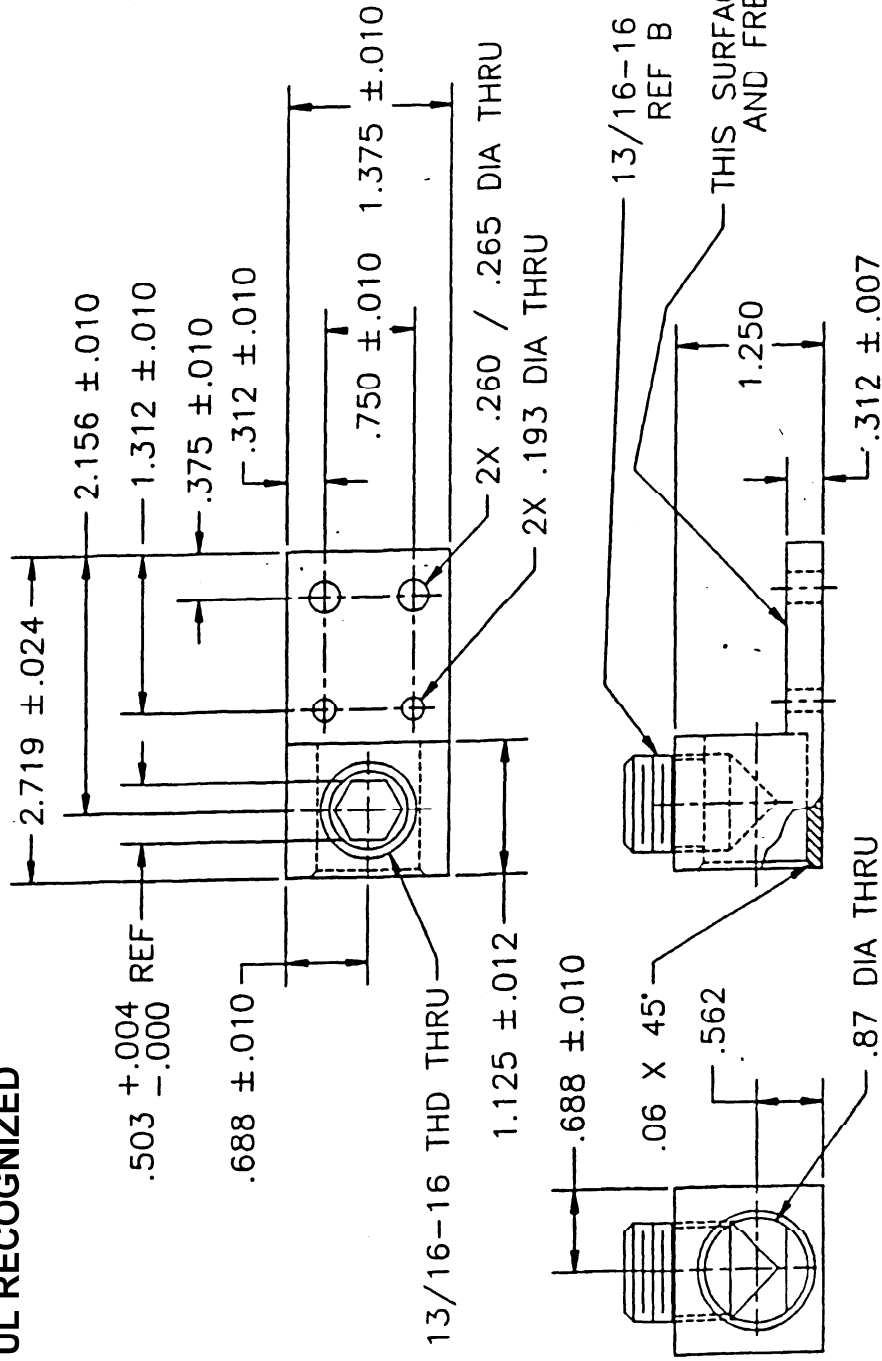


IHIConnectors.com UL FILE CUSTOM VARIANTS AVAILABLE SPECIAL ORDER kcmil 500-6

| REV | DESCRIPTION | BY | DATE |
|-----|-------------|----|------|
| | | | |

UL RECOGNIZED



13/16-16 X 1.00 SCREW
REF B 003-6276

| | | | |
|--|---------|--|--------|
| INTERNATIONAL HYDRAULIC | | INCORPORATED | |
| TITLE: L SHAPED CONNECTOR | | | |
| DATE: 08-08-95 | BY: MTC | DATE: 12-7-11 | BY: JH |
| PART NO: 6081-16 | | MATERIAL: ALUMINUM | |
| FINISH: TIN PLATE | | TOLERANCES: UNLESS OTHERWISE SPECIFIED: DIMENSIONS ARE IN INCHES | |
| | | 3 PLACE (00) | |
| | | 2 PLACE (000) | |
| | | 1 PLACE (0000) | |
| | | ANGLES: 1/16 DIA | |
| | | REMOVE ALL BURRS AND SHARP EDGES | |
| | | B | |
| THIS IS A CAD DRAWING DO NOT MANUALLY REVISE | | | |
| DWG NO. 12711-1 | | | |

11 12 13 14