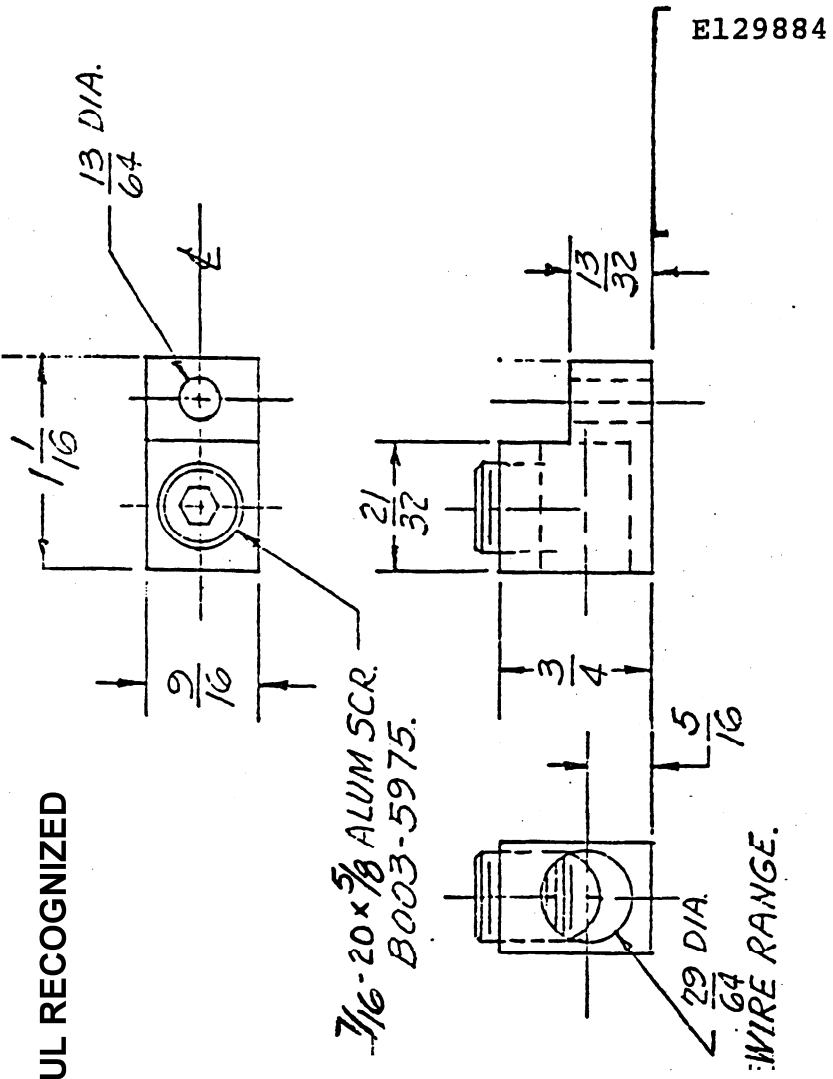


CHANGE NO.	REVISIONS	DATE	APP. BY



**SPECIFICATIONS:**

1. WIRE RANGE: 2/0 - #8 AWG
2. MUST MEET UL486B REQUIREMENTS FOR COPPER AND ALUMINUM CONDUCTORS
3. FINISH: TIN PLATE 0.0001 IN. MIN. OVER COPPER FLASH
4. MARK WITH:
  - 4.1 IDENTIFICATION
  - 4.2 PART NUMBER (5201-L)
  - 4.3 WIRE RANGE
  - 4.4 AL7CU
5. SCREW: ALUMINUM ALLOY, 3/16 - 20 x 5/8, RECESSED HEX DRIVE 3/16 ACROSS FLATS (SEE B003-5975)

5201-L

TITLE: CONNECTOR, WIRE (2/0-8 AL7CU).	
MATERIAL: 6061-T6 ALUMINUM	
FINISH: SEE NOTE 3	DATE: 7-14-82
DRAWN BY: R VLADUSICH	SCALE: FULL