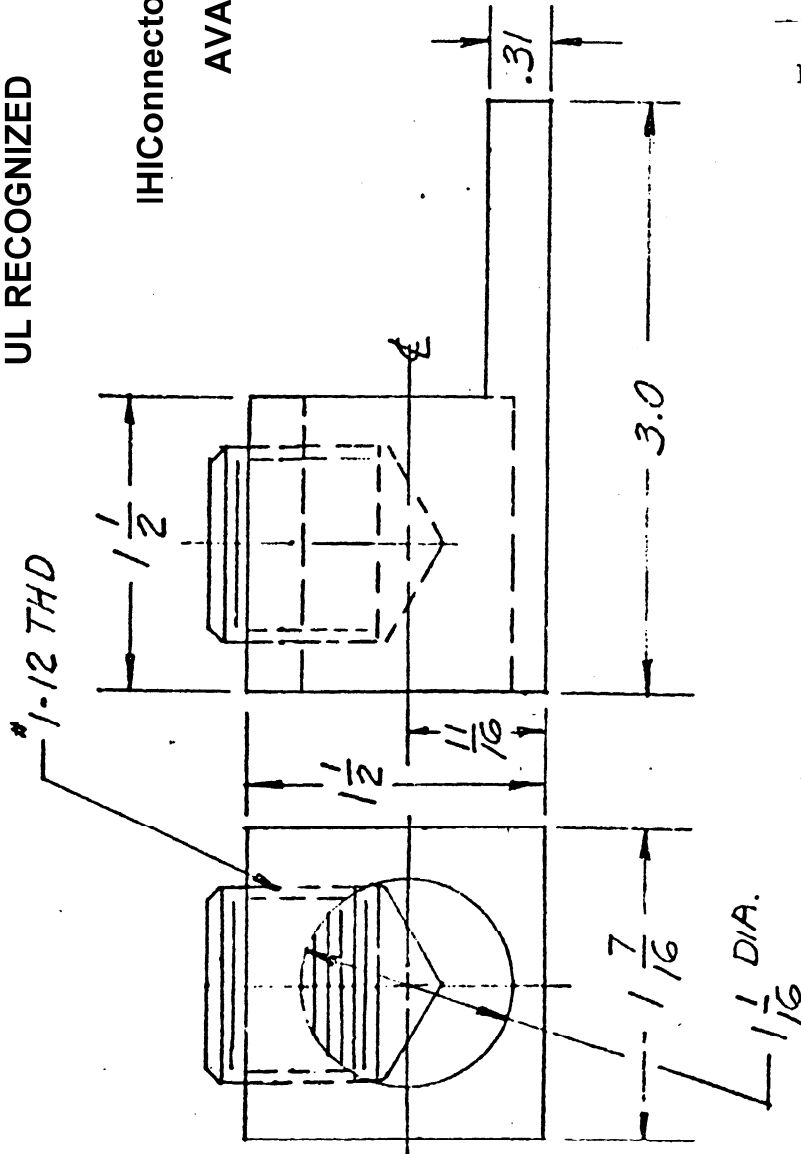


PART NO.	5206-750L	
CHANGE NO.	REVISIONS	DATE
		APPR BY

UL RECOGNIZED

IHConnectors.com UL FILE CUSTOM VARIANTS
 AVAILABLE SPECIAL ORDER kcmil 750-4



E129884

SPECS.

1. WIRE RANGE: 750 MCM-4/0
2. MUST MEET UL486B REQUIREMENTS FOR COPPER AND ALUMINUM CONDUCTORS.
3. FINISH: TIN PLATE 0.00005 IN. MIN. OVER COPPER FLASH.
4. MARKING TO INCLUDE:
 - 4.1 IDENTIFICATION
 - 4.2 PART NUMBER (i.e. 5206-750L)
 - 4.3 WIRE RANGE
 - 4.4 AL7CU
5. SCREW: ALUMINUM ALLOY, 1-12x1-3/16 RECESSED HEX, 1/2 IN. ACROSS FLATS, CONICAL BOTTOM (REF. DWG. 6273)

56

TITLE	CONNECTOR WIRE (750 MCM-4/0 AL7CU)	
MATERIAL	ALUMINUM ALLOY 6061-T6	
FINISH	SEE NOTE 3	DATE 11-15-83
DRAWN BY		SCALE FULL