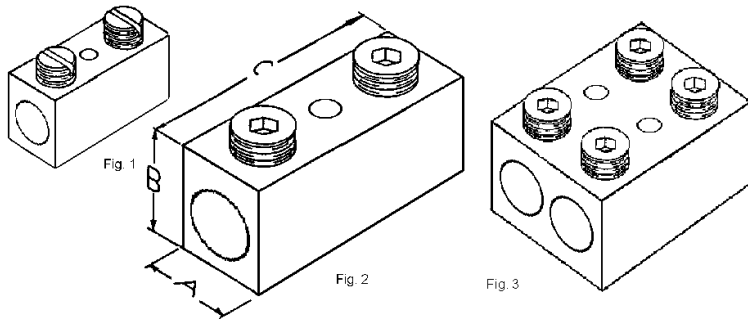


Connectors

IHCONNECTORS.COM®



**P Series Splicer
/ Reducer**
**Tin Plated Aluminum
Splicers for Copper
and Aluminum Wires**



Wire Range	Catalog Number	Fig. No.	A	B	C	Mtg. Hole
AWG 4 -14	P4	1	.375	.484	1.01	None
AWG 2 -14	P2	1	.450	.562	1.219	.218
AWG 2/0 -8	P2/0	2	.562	.703	1.59	.200
500 MCM -6	P500	2	1.14	1.25	2.75	.174 / .25
500 MCM -6	2P500	3	2.218	1.5	2.5	.167

Standard and Custom Connectors

Materials: • Aluminum Alloys • Copper Alloys • Brass Alloys

Mechanical Products: • Box Connectors • Splicers • Lugs

Wire Sizes: 14 AWG to 1000 MCM

ANY QUESTIONS?

Call Charles Ridley (ext. 103)

to discuss your needs: 440-951-7186 Fax: 440-951-1071

e-mail: Charles Ridley: cRidley@ihinet.com

IHI Connectors®. International Hydraulics Inc.

7638 St. Clair Avenue, Mentor, OH 44060-5236