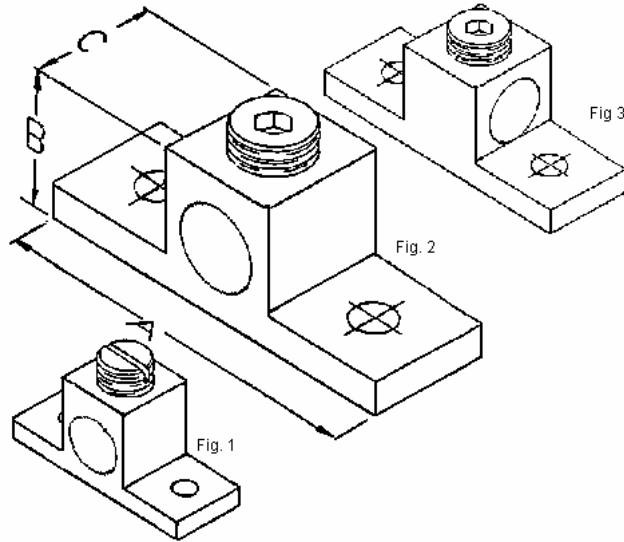


Connectors

IHCONNECTORS.COM ®



T Series Lugs
Tin Plated
Aluminum for
Single Copper or
Aluminum Wires



Wire Range	Catalog Number	Fig. No.	A	B	C	Bolt Size
AWG 2/0 -8	T2/0	2	1-11/16	0.9	5/8	#10
AWG 2/0 -14	T2/0A	3	1-11/16	0.9	5/8	#10
Other Sizes	Consult Factory	1, 2, 3				

Standard and Custom Connectors

Materials: • Aluminum Alloys • Copper Alloys • Brass Alloys
Mechanical Products: • Box Connectors • Splicers • Lugs
Wire Sizes: 14 AWG to 1000 MCM

ANY QUESTIONS?

Call Charles Ridley (ext. 103)

to discuss your needs. 440-951-7186 Fax 440-951-1071

e-mail: Charles Ridley: cRidley@ihinet.com

IHI Connectors ®, International Hydraulics Inc.
7638 St. Clair Avenue, Mentor, OH 44060-5236