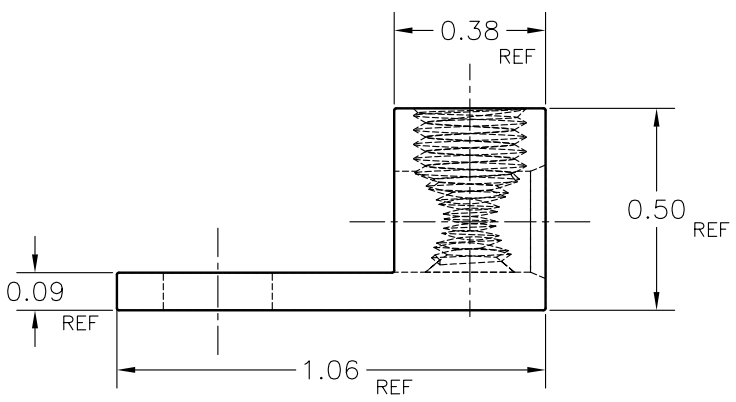
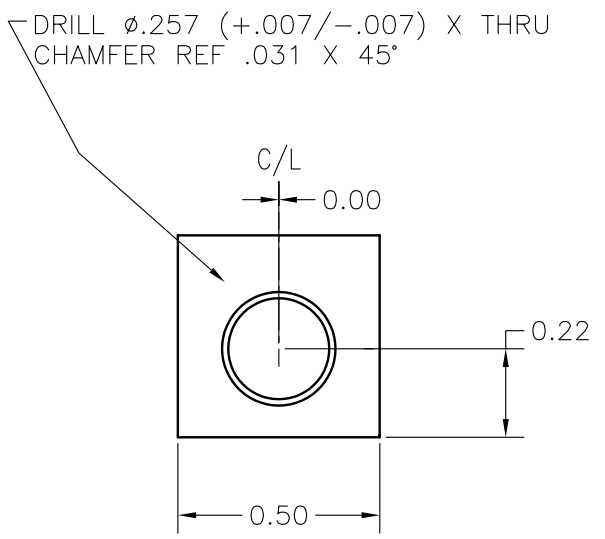


DRILL REF ϕ 0.213 X 0.370 REF. DEEP
 CHAMFER REF .031 X 45°
 TAP 1/4-28 UNF-2B X 0.342 REF. DEEP



NOTES:

MARKING:

IHI, S4, 4-14 STR, CU9AL



THIS DRAWING AND DESIGN ARE THE PROPERTY OF INTERNATIONAL HYDRAULICS INC., CLEVELAND, OHIO, AND MAY NOT BE DUPLICATED, USED FOR BASIS OF DESIGN OR MANUFACTURE WITHOUT THE WRITTEN PERMISSION OF INTERNATIONAL HYDRAULICS INC., CLEVELAND, OHIO.

UNLESS OTHERWISE SPECIFIED
 1. DIMS ARE IN INCHES
 2. TOLERANCE ON DIM'S
 2 PLACE (.00) ± .010
 3 PLACE (.000) ± .005
 FRACTION ± 1/32
 ANGLES ± 1/2°

MATERIAL
 6061-T6
 FINISH
 TIN PLATE - EMS 131A

INTERNATIONAL HYDRAULICS, INC.

TITLE
 SINGLE LUG - ALUMINUM
 WIRE RANGE: 4 - 14

SIZE A	DRAWN BY JDB	CHECK	DWG NO S4	REV
DATE 01.07.2000			THIS IS A CAD DRAWING, DO NOT MANUALLY REVISE	